

**Part No. WADP-24FWR28**

**26.5-40GHz 2.4mm(F)-WR28 (UBR320) Waveguide to Coax Adapter**



**Features:**

- High repeatability
- Low VSWR

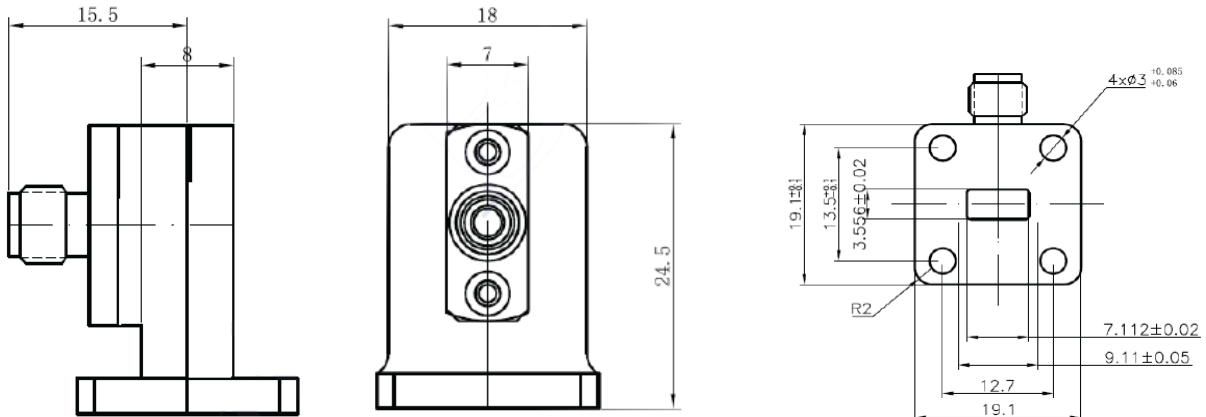


Electrical Specification	
Frequency	26.5-40GHz
Impedance	50 Ohm
VSWR	1.25:1 Max.
Insertion Loss	0.5dB Max.
Waveguide Size	WR28
Waveguide Flange	UBR320
Coaxial Connection	2.4mm Female

Material Specification	
Material	Aluminum/Brass
Finish	Yellow Oxidation Inside /Gold plating inside
Coating	Blue Painting Outside

**Outline**

Unit:mm



Test Report

This data is the value of the two

