

Part No. WADP-1FWR12

60-92GHz 1mm(F)-WR12 (UG387/U) 50Ω Waveguide Adapter



Features:

- High repeatability
- Low VSWR

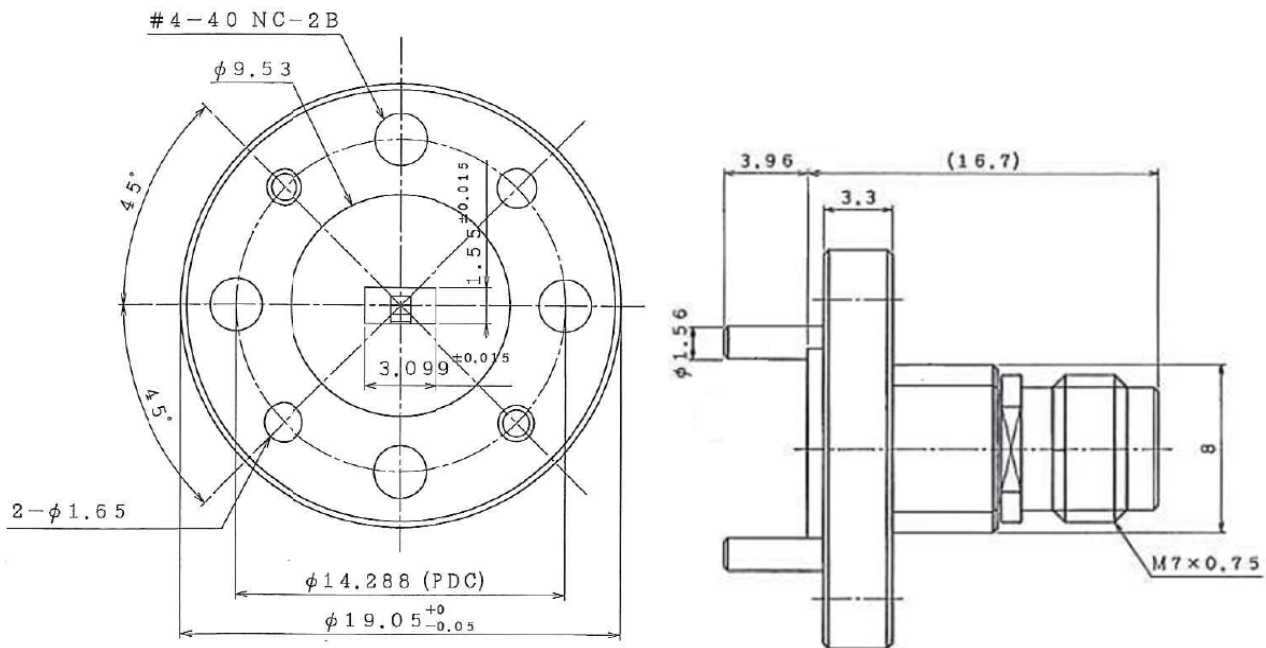


Electrical Specification	
Frequency	60-92GHz
Impedance	50 Ohm
Insertion Loss	0.4dB Max.
VSWR	1.5:1 Max.
Waveguide Size	WR12
Waveguide Flange	UG387/U
Coaxial Connection	1.0mm Female

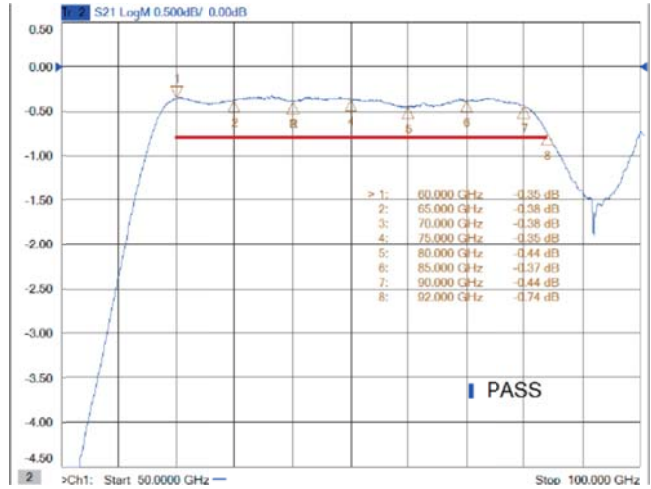
Environmental Specification	
Temperature	25±20°C

Outline

Unit:mm



Test Report



This data is the value of the two