

Part No. WADP-185FWR15

50-75GHz 1.85mm(F)-WR15(UG385/U) Waveguide to Coax Adapter



Features:

- High repeatability
- Low VSWR

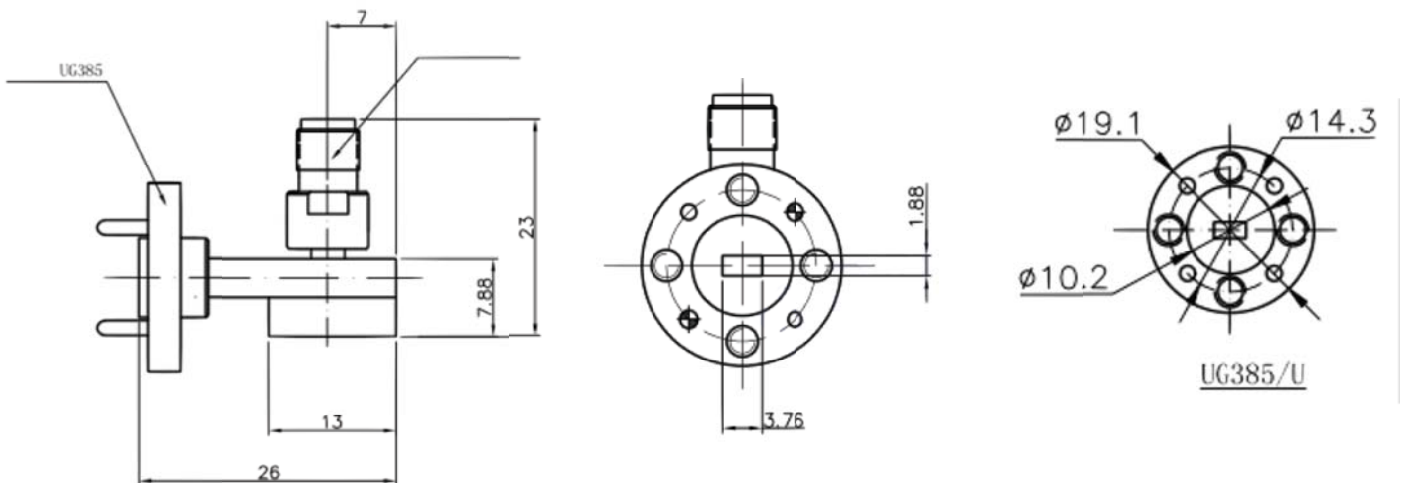


Electrical Specification	
Frequency	50-75GHz
Impedance	50 Ohm
VSWR	1.8:1 Max.
Insertion Loss	0.8dB Max.
Waveguide Size	WR15
Waveguide Flange	UG385/U
Coaxial Connection	1.85mm Female

Material Specification	
Material	Brass
Finish	Gold plating inside
Coating	Blue Painting Outside

Outline

Unit:mm



Test Report

This data is the value of the two

