

2-50GHZ 4WAY 2.4MM POWER DIVIDER

RATED TO 5W
P/NO.STI08-0049



SPECIFICATION

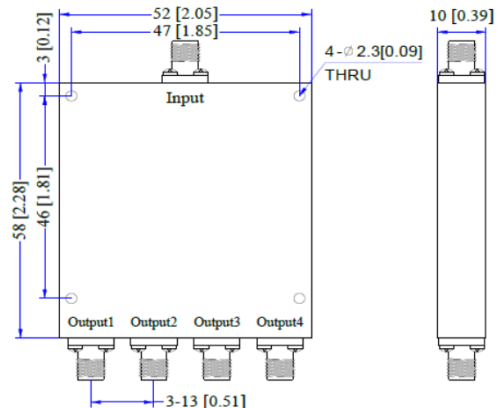
Frequency	2-50GHz
Isolation:	14dB(Min.) 15dB(Typ.)
Insertion Loss:	5.8dB(Typ.) 7.0dB(Max.) (excluding Theoretical Loss:6.0dB)
Input VSWR:	1.8:1(Typ.) 2.2:1(Max.)
Output VSWR:	1.5:1(Typ.) 1.8:1(Max.)
Power :	Forward:5W/Reverse:0.5W
Amplitude Unbalance:	±0.5dB(Typ.) ±1.0dB(Max.)
Phase Unbalance:	±6°(Typ.) ±12°(Max.)
Impedance:	50Ohm
Durability:	500 Cycles
Operating Temp.:	-45~85°C

MATERIAL LIST

Part	Material	Plated
Housing	Aluminum	Gray
Connector	Stainless Steel	

OUTLING DRAWING

Unit:mm(inches) Tolerance:±0.25(0.01)



TESTING DATA (100% S-PARAMETER TESTED)

