

## 6GHZ FIXED ATTENUATOR

### SMA MALE TO SMA FEMALE RATED TO 50W

### P/NO.STI02-1304-XX



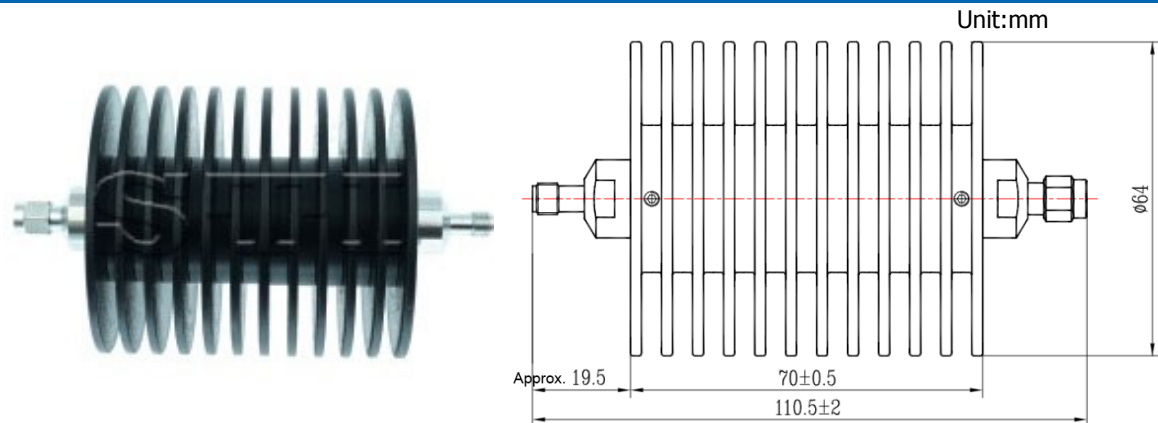
#### SPECIFICATION

Frequency	DC-6GHz
Attenuation Value:	3,6,10,20,30,40dB
Attenuation Accuracy:	3,6,10dB:± 0.5dB 20dB:± 0.6dB 30,40dB:± 0.8dB
VSWR:	1.25:1(Max.)
Power :	50W CW@25°C
Impedance:	50Ohm
Durability:	500 Cycles

#### MATERIAL LIST

Part	Material	Plated
Outer Conductor	Brass	Nickel
Center Conductor	Brass	Gold
Housing	Aluminum	Black

#### OUTLING DRAWING



#### TESTING DATA ( 100% S-PARAMETER TESTED)

