



90193-001-F

Adapter

10GHz 50Ω IP I(F)-SMA(F) Probe Adapter/Gold

Features

- ✓ High Repeatability
- ✓ Low VSWR



Electrical Specifications

Frequency	DC-10GHz
VSWR	1.2:1(Max.)@DC-6GHz 1.4:1(Max.)@6-10GHz
Impedance	50Ohm
Connection 1	SMA Female
Connection 2	IP I Female(Receptacle)
Ref.	90193-001

Mechanical

Durability	500 Cycles (Min.)
------------	-------------------

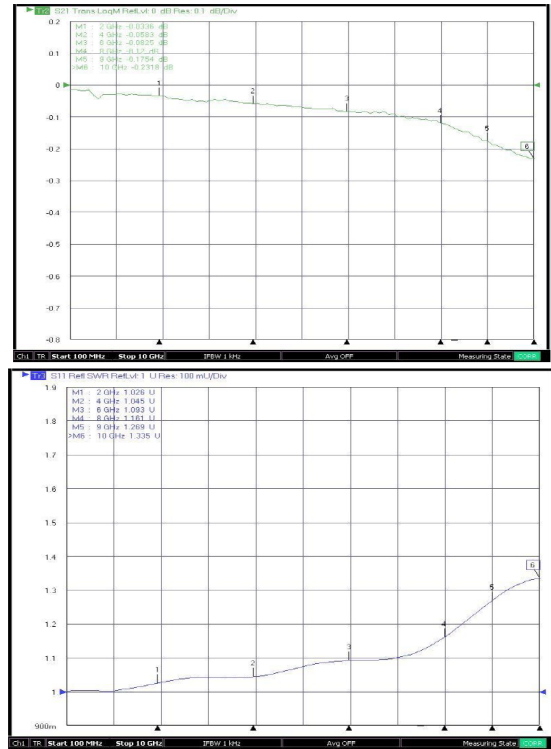
Environmental

Operating Temperature	-55°C~165°C
-----------------------	-------------

Material

Part	Material	Plated
Body	Brass	Gold
Center Pin	Beryllium Copper	Gold
Insulator	Teflon	

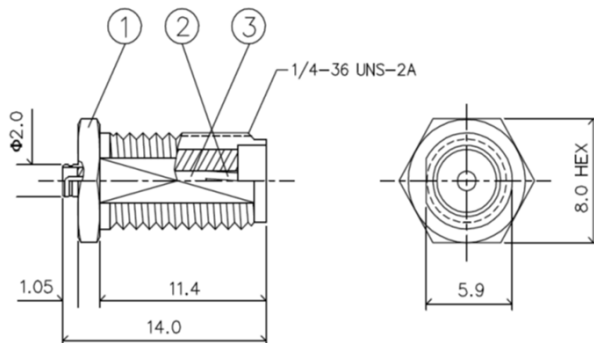
Test Report



Note.

1. 測試數據為實驗室測試值
2. 產品使用壽命受使用環境、公差等因素所影響，實際使用壽命以客戶端測試使用狀況為主

Outling Drawing (Unit:mm) Tolerance:X:±0.2mm X.X:±0.1mm,X.XX:±0.05mm



All Specification Changed Without Notification.