

# 20449-XM252017

## Testing Probe

### 7.5GHz 50Ω IP 4 (M)-MMCX(J) Probe Adapter

#### Features

- High Repeatability
- Low VSWR



#### Electrical Specifications

Frequency	DC-7.5GHz
VSWR	1.4:1(Max.)@DC-6GHz 1.5:1(Max.)@6-7.5GHz
Impedance	50Ohm
Connection 1	MMCX Jack
Connection 2	IP 4 Male
Ref.	90576

#### Mechanical

Durability	IP-4:30K Cycles (Min.) MMCX:500Cycles(Min.)
Spring Force	Ground:242g Signal:182g
Max. Stroke	2mm

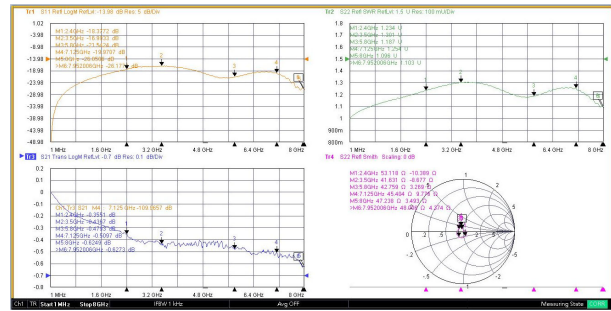
#### Environmental

Operating Temperature	-40°C~85°C
-----------------------	------------

#### Material

Part	Material	Plated
MMCX Body	Brass	Gold Flash
Center Pin	Beryllium Copper	Gold 10 $\mu$
Insulator	Teflon	
Spring	SWP	Gold Flash
Press Body	Brass	Nickel
Spring	SWP	Nickel
Panel Body	Brass	Nickel
Insulator	Teflon	
Center Pin	Beryllium Copper	Gold 10 $\mu$
IP Body	Brass	Gold Flash

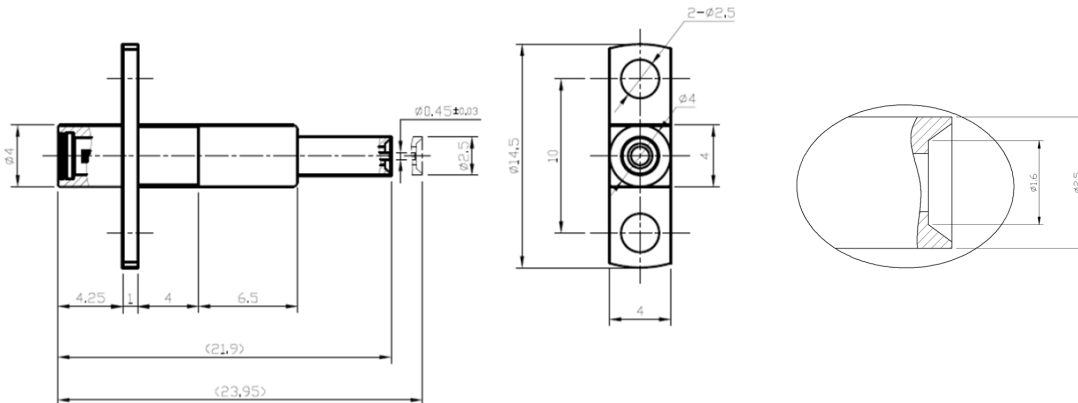
#### Test Report



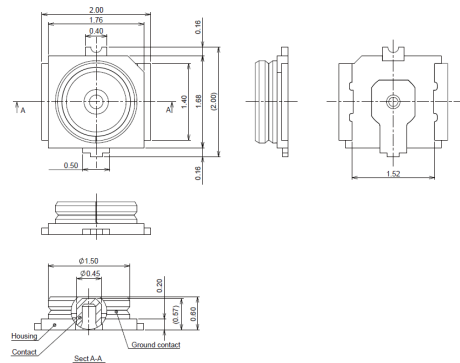
#### Note.

1. 測試數據為實驗室測試值
2. 產品使用壽命受使用環境、公差等因素所影響，實際使用壽命以客戶端測試使用狀況

#### Outling Drawing (Unit:mm) Tolerance:±0.1mm



I-PEX 20449-001 Size



All Specification Changed Without Notification.