

4

3

2

1

Features:

- Small Size
- High Isolation
- Low Insertion Loss

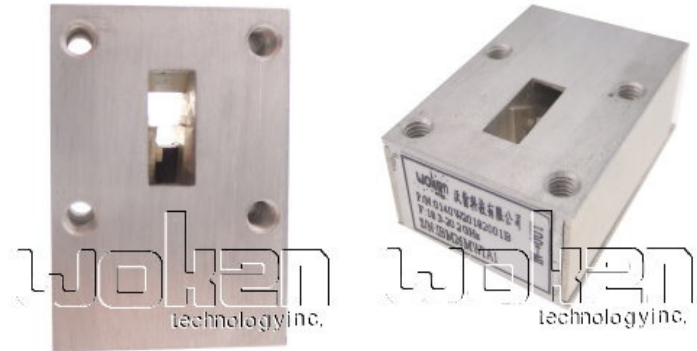
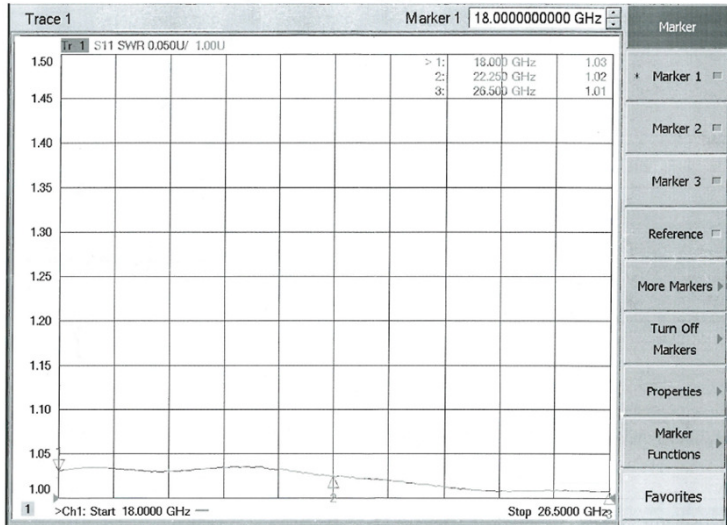
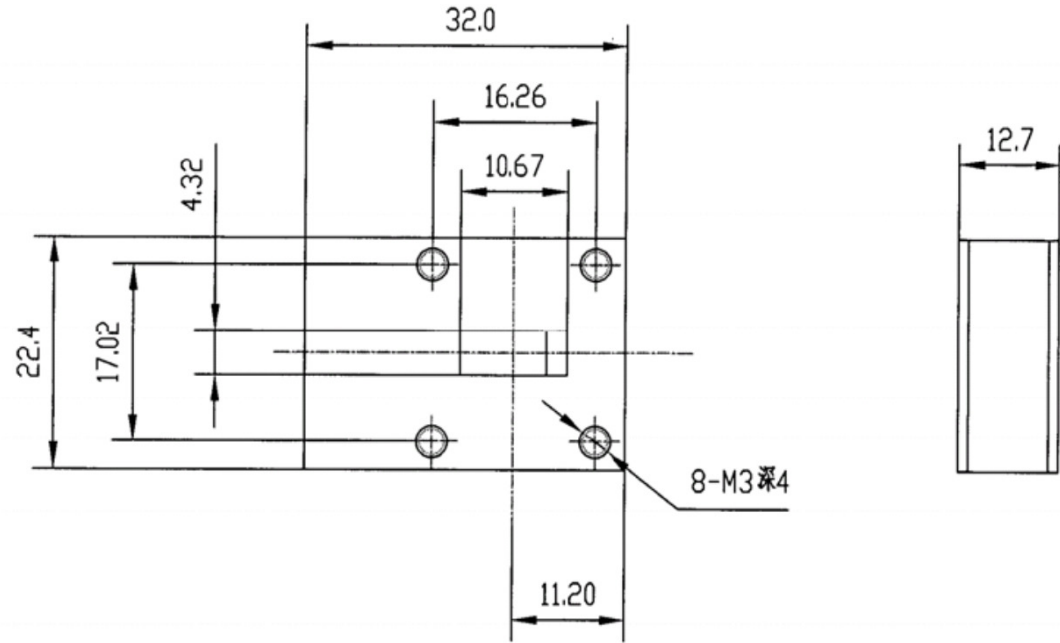


Specifications:

Electrical:

- Frequency: 18.3-20.2GHz
- Isolation:20dB(Min.)
- VSWR:1.25:1(Max.)
- Insertion Loss:0.4dB(Max.)
- Power:10W
- Impedance: 50Ohm
- Connection: WR42
- Waveguide Flange:UBR220

Unit:mm



UNLESS OTHERWISE SPECIFIED ALL DIMENCIONS ARE IN mm AND TOLERANCES ARE:					
INTEGRAL DIMENSIONS ±TOLINT		ANGULAR DIMENSIONS ±TOLANG		CODE	DWG TITLE
x	±0.38 .xx ±0.15	HOLES UNDER Ø5.0 ±0.05		A4	18.3-20.2GHz 20dB 10W I/L 0.4dB VSWR:1.25
.x	±0.25 .xx x ±0.05				REV
THIRD ANGLE PROJECTION		DRAWN	Terence	05/04/09'	DWG NO.
		ENGR	Jack	05/04/09'	0140W20182001B
		APVD	James	05/04/09'	

4

3

2

1

D

D

C

C

B

B

A

A