



0140A18204001P

Isolator

2-4GHz 18dB A:100W I/L:0.5dB
VSWR1.3 SMA CW Isolator

Features

- Optional removable connectors for Assembly integration
- Low VSWR
- High Isolation



Electrical Specifications

Frequency	2-4GHz
Isolation	18dB(Min.)
VSWR	1.3:1(Max.)
Insertion Loss	0.5dB(Max.)
Impedance	50Ohm
Power	Forward:100W(Avg.) Reverse:20W(Avg.)
Connection	SMA Female
Direction	Clockwise

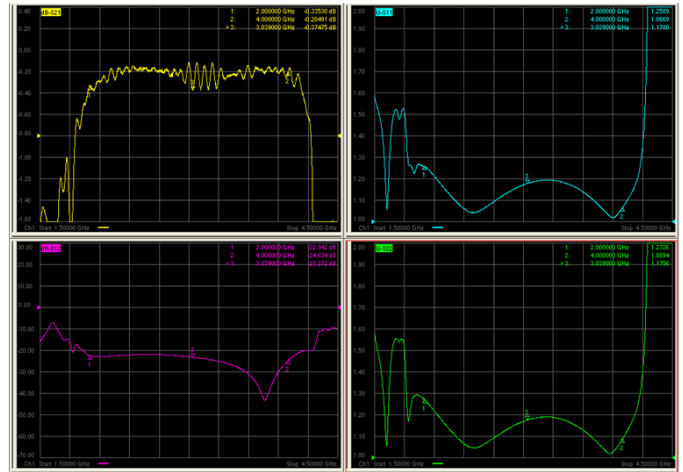
Mechanical

Durability	500 Cycles
------------	------------

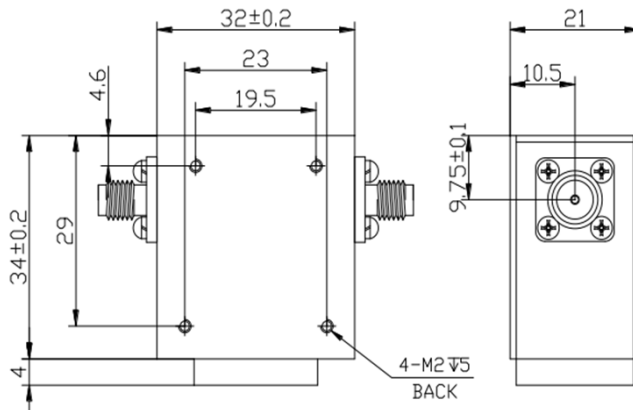
Environmental

Operating Temperature	0~+60°C
-----------------------	---------

Test Report



Outling Drawing (Unit:mm) Tolerance:±2%



All Specification Changed Without Notification.