



0080WN1R01B-XX

Waveguide Attenuator

50-75GHz WR15(UG-385/U) 0.5W
Waveguide Fixed Attenuator

Features

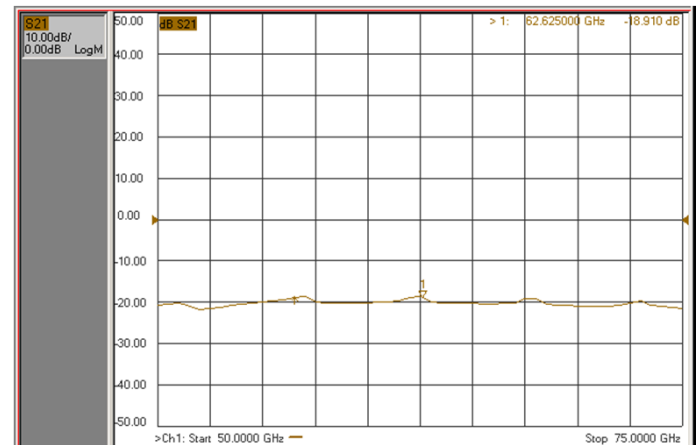
- High Repeatability
- Low VSWR



Electrical Specifications

Frequency	50-75GHz
Standard Values:	3,6,10,20,30dB
Attenuation Accuracy	3dB:±0.5dB
	6dB:±0.8dB
	10dB:±1.5dB
	20dB:±2.0dB
30dB:±2.5dB	
VSWR	1.2:1(Max.)
Power	0.5W(Avg.)
Waveguide Size	WR15
Waveguide Flange	UG385/U

Test Report



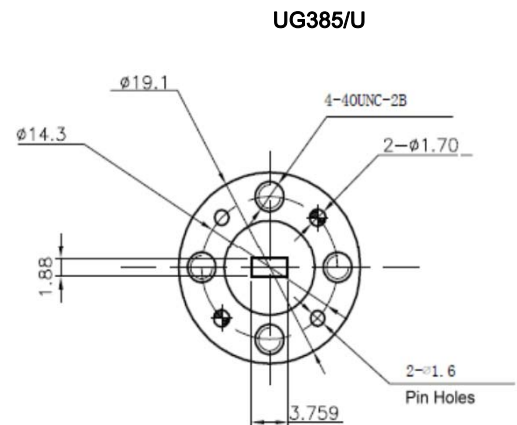
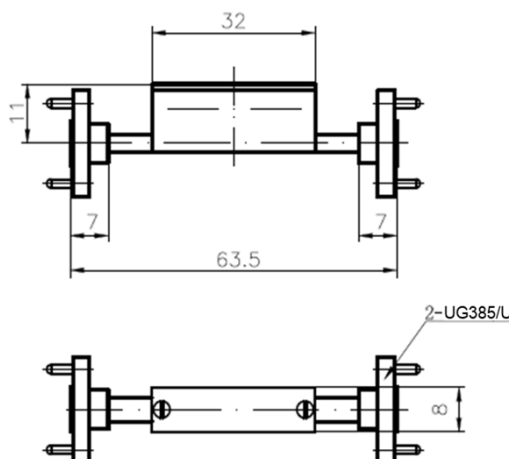
Mechanical

Durability	500 Cycles
------------	------------

Material

Material	Inner Finishing	Coating
Brass	Gold	Blue Paint

Outling Drawing (Unit:mm)



All Specification Changed Without Notification.