





0080WC1L01B-XX

Waveguide Attenuator

18-26.5GHz WR42(UBR220) 10dB 5W
Waveguide Fixed Attenuator

Features

-  High Repeatability
-  Low VSWR

Electrical Specifications

Frequency	18-26.5GHz
Standard Values	10,20,30dB
Attenuation Accuracy	10dB:± 1.5dB
VSWR	1.15:1(Max.)
Power	5W(Avg.)
Waveguide Size	WR42
Waveguide Flange	UBR220

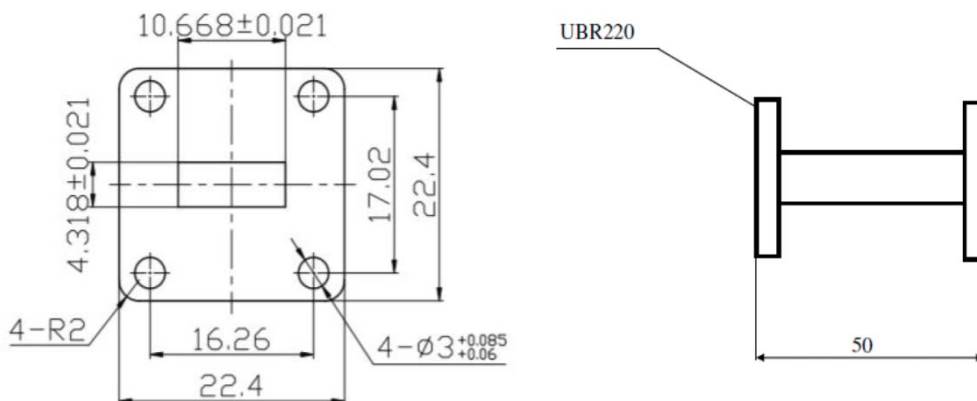
Mechanical

Durability	500 Cycles
------------	------------

Material

Material	Inner Finishing	Coating
Brass		Blue Paint

Outling Drawing (Unit:mm)



All Specification Changed Without Notification.