



00800N1J01H-XX

Attenuator

12.4GHz N 2W Fixed Attenuator

Features

- ✓ Small Size
- ✓ Low VSWR



Electrical Specifications

Frequency	DC-12.4GHz
Standard Values	3,6,10,20,30dB
Attenuation Accuracy	3,6,10 dB:± 0.6dB(Max.)
	20dB : ± 0.7dB(Max.)
	30dB : ± 0.8dB(Max.)
VSWR	1.30:1(Max.)
Average Power	2W@25°C
Impedance	50Ohm
Connection 1	N Male
Connection 2	N Female

Mechanical

Durability	500 Cycles
------------	------------

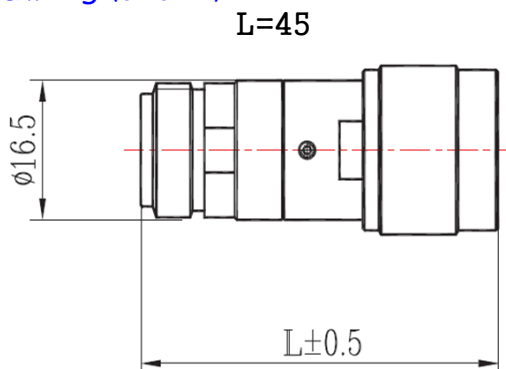
Environmental

Operating Temperature	-55°C~125°C
-----------------------	-------------

Material

Part	Material	Plated
Connection	Brass	Tri-Metal

Outling Drawing (Unit:mm)



Test Report

20dB

