



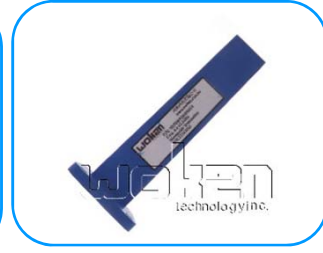
0070WF0AJ0501X

Waveguide Termination

8.2–12.5GHz WR90(UBR100) 2W
Waveguide Termination

Features

- Low VSWR
- Small Size



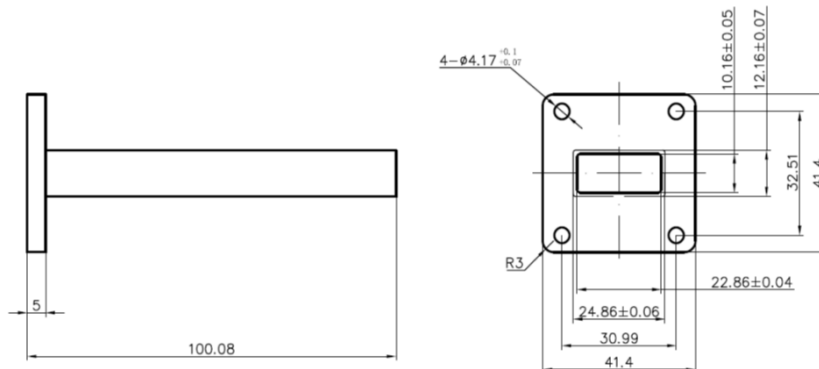
Electrical Specifications

Frequency	8.2-12.5GHz
VSWR	1.05:1(Max.)
Power	2W
Waveguide Size	WR90
Waveguide Flange	UBR100

Mechanical

Durability	500 Cycles
------------	------------

Outling Drawing (Unit:mm)



All Specification Changed Without Notification.