



0060WFOAOBB01X

Waveguide Transition

9.84-15GHz 50Ω WR75(UBR120)-
WR90(UBR100) Waveguide
Transition/Length:60mm

Features

- ✓ High Repeatability
- ✓ Low VSWR



Electrical Specifications

Frequency	9.84-15GHz
VSWR	1.15:1(Max.)
Waveguide Change	WR75 to WR90
Waveguide Flange	WR75:UBR120 WR90:UBR100

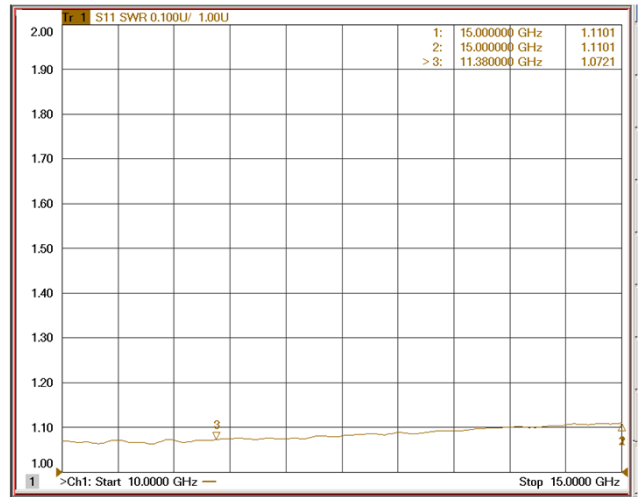
Mechanical

Durability	500 Cycles
------------	------------

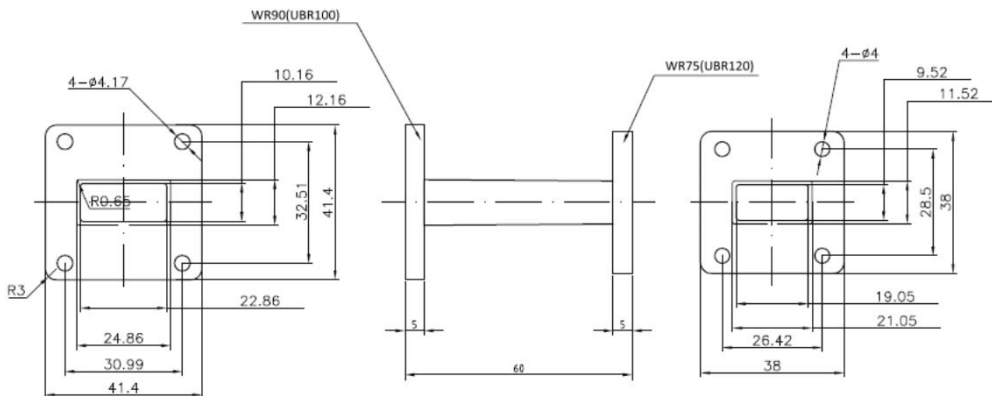
Material

Material	Inner Finishing	Coating
Brass	Nickel	Blue Paint

Test Report



Outling Drawing (Unit:mm)



All Specification Changed Without Notification.