



0060WAOCOBB01X

Waveguide Transition

18-26.5GHz 50Ω WR42(UBR220) –
WR75(UBR120) Waveguide
Transition/Length:50mm

Features

- High Repeatability
- Low VSWR



Electrical Specifications

| | |
|------------------|----------------------------|
| Frequency | 18-26.5GHz |
| VSWR | 1.15:1(Max.) |
| Waveguide Change | WR42 to WR75 |
| Waveguide Flange | WR42:UBR220 WR75:UBR120 |

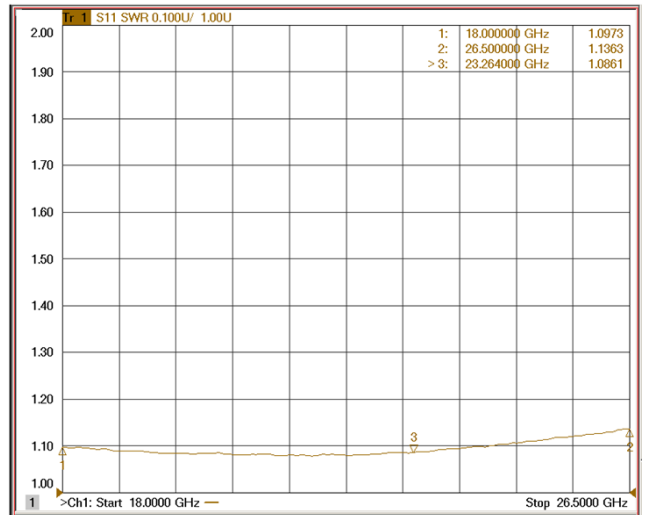
Mechanical

| | |
|------------|------------|
| Durability | 500 Cycles |
|------------|------------|

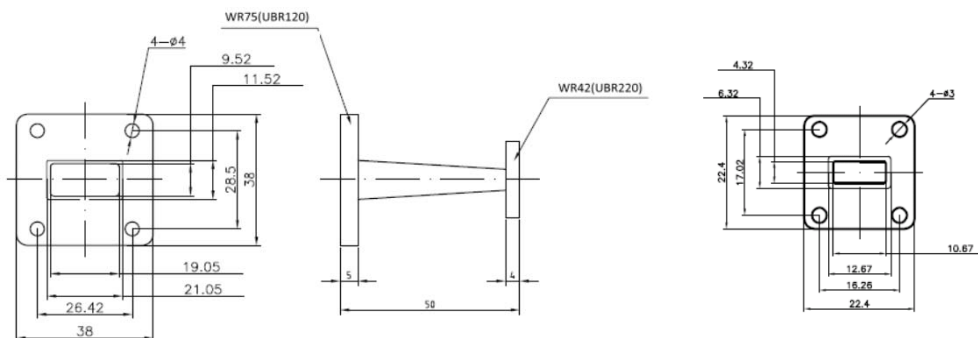
Material

| Material | Inner Finishing | Coating |
|----------|-----------------|------------|
| Brass | Nickel | Blue Paint |

Test Report



Outling Drawing (Unit:mm)



All Specification Changed Without Notification.