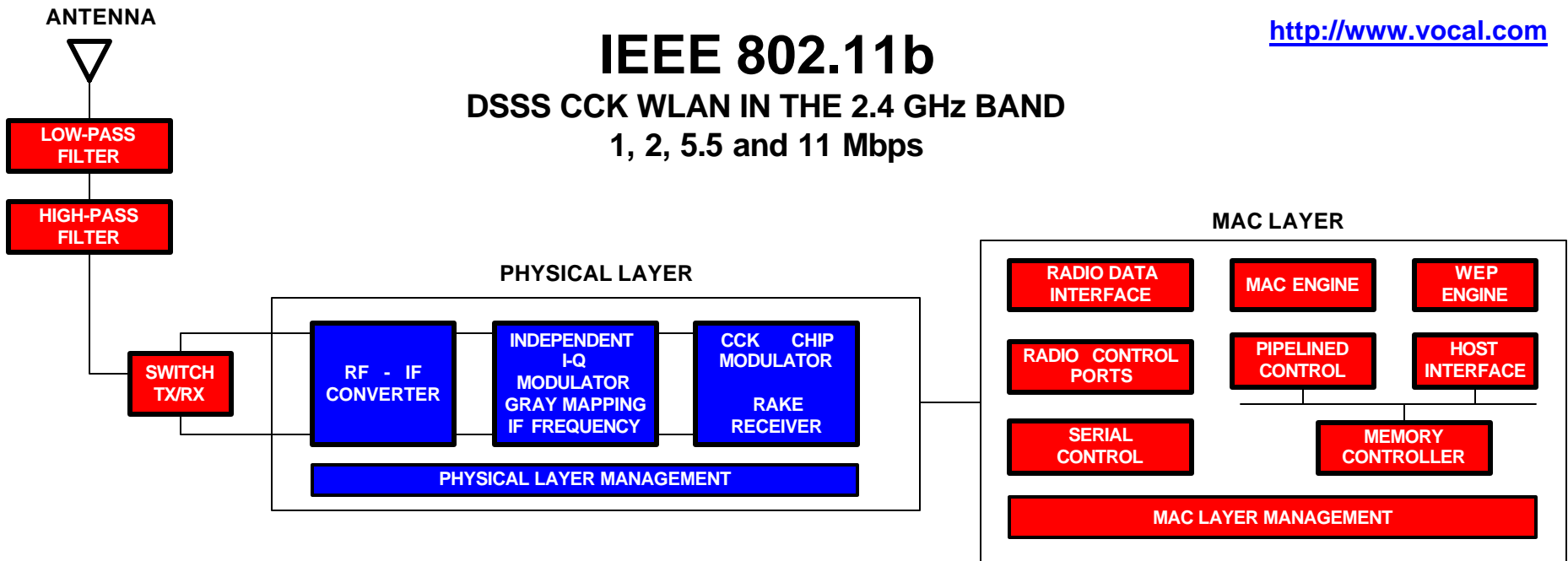


# IEEE 802.11b

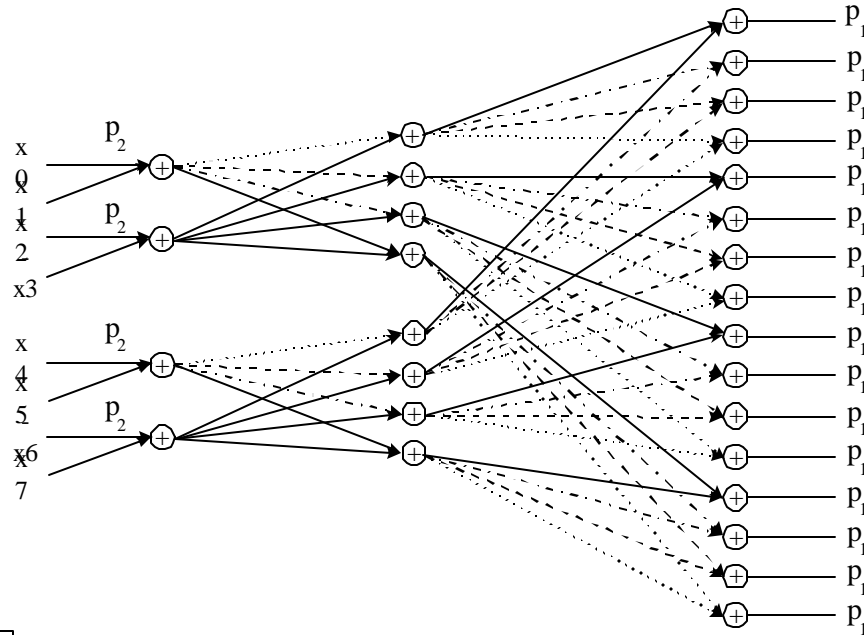
DSSS CCK WLAN IN THE 2.4 GHz BAND  
1, 2, 5.5 and 11 Mbps



→ **RECEIVER . Modified Fast Walsh Transform**

$$\begin{aligned}
 p &= 1, j, -1, - \\
 & \quad \quad \quad j \\
 p &= 1, j, -1, - \\
 & \quad \quad \quad j
 \end{aligned}$$

Legend:  
 \_\_\_\_\_ 1  
 - - - - - j  
 - - - - - 1  
 - - - - - j



→ **TRANSMITTER: 64 PRN ORTHOGONAL CODES**

